

PARTS ASSEMBLIES FOR Bonis Models: A-21, A-18, A-16



CAUTION: Order by part number only. When ordering parts, kindly state Serial and Model Numbers of Machine.

The Serial Number is stamped on the left top edge of main frame. The Model Number is printed on name plate on top cover.

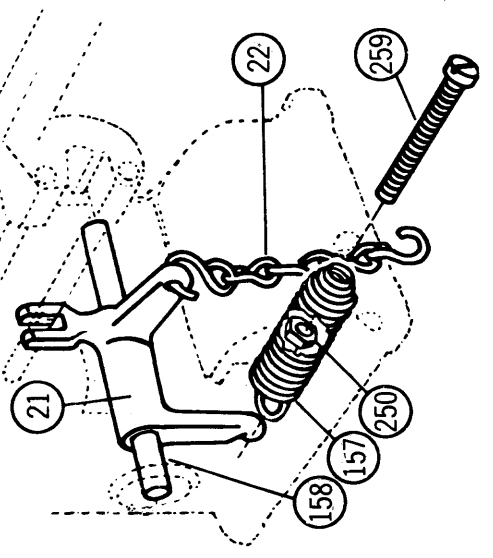
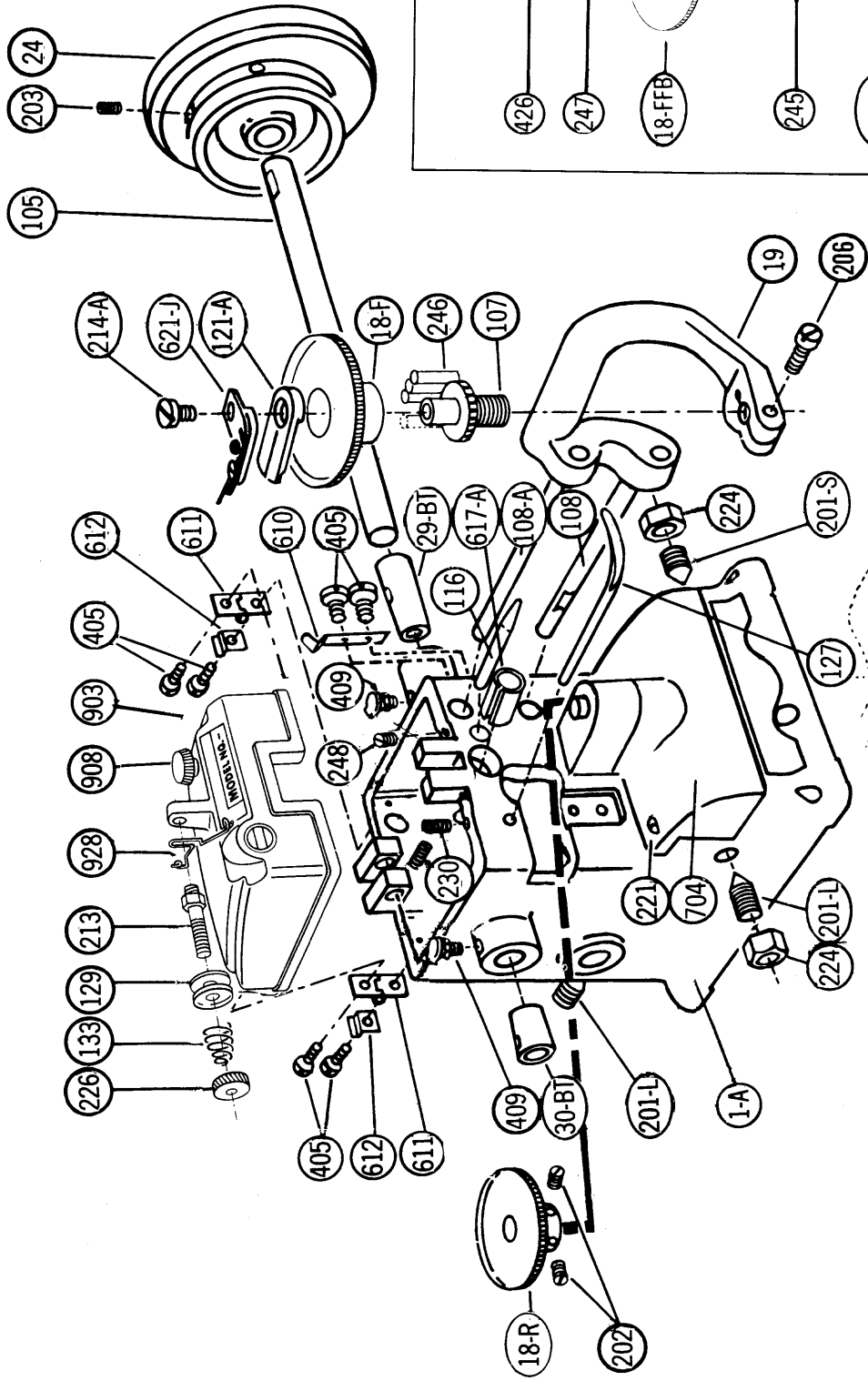
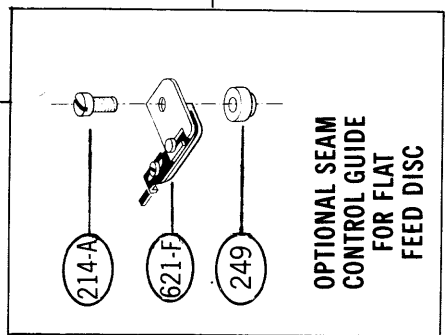
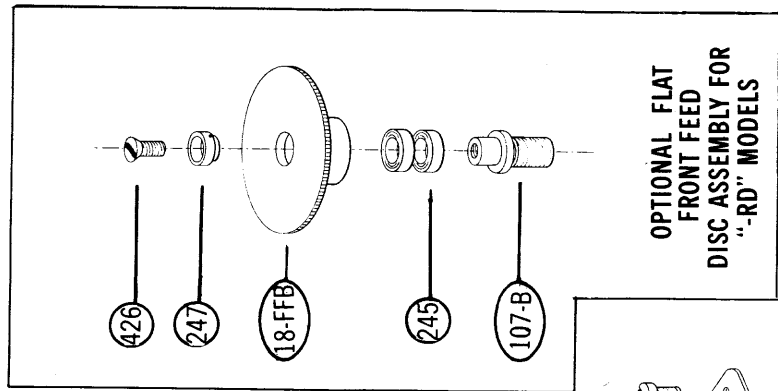
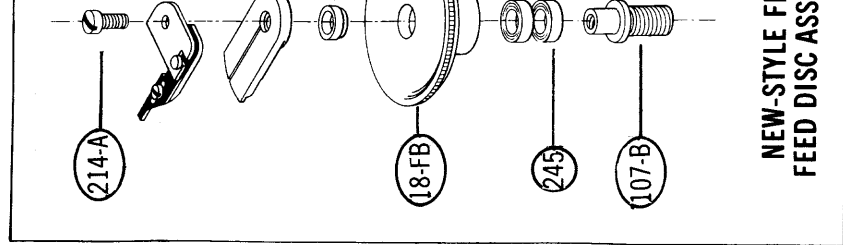
BONIS BROS. SEWING MACHINERY CORP.

111 West 26th Street, New York, N.Y. 10001 • Phone 212/645-0001

Cable Address: "BONIBRO"

Telex: 422449

Fax: (212) 645-0914

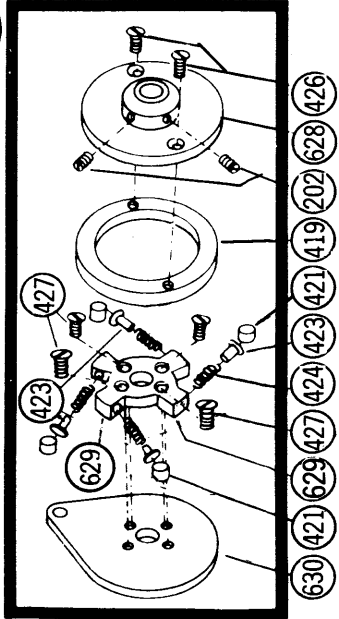
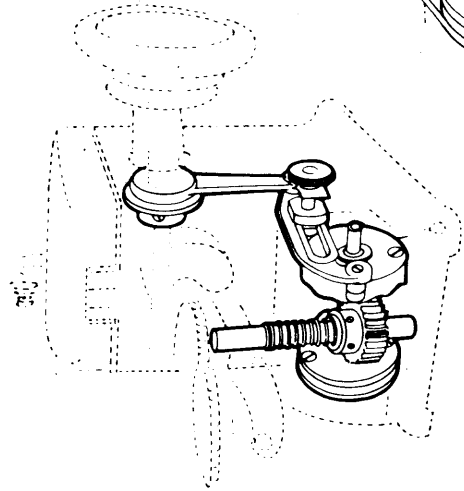
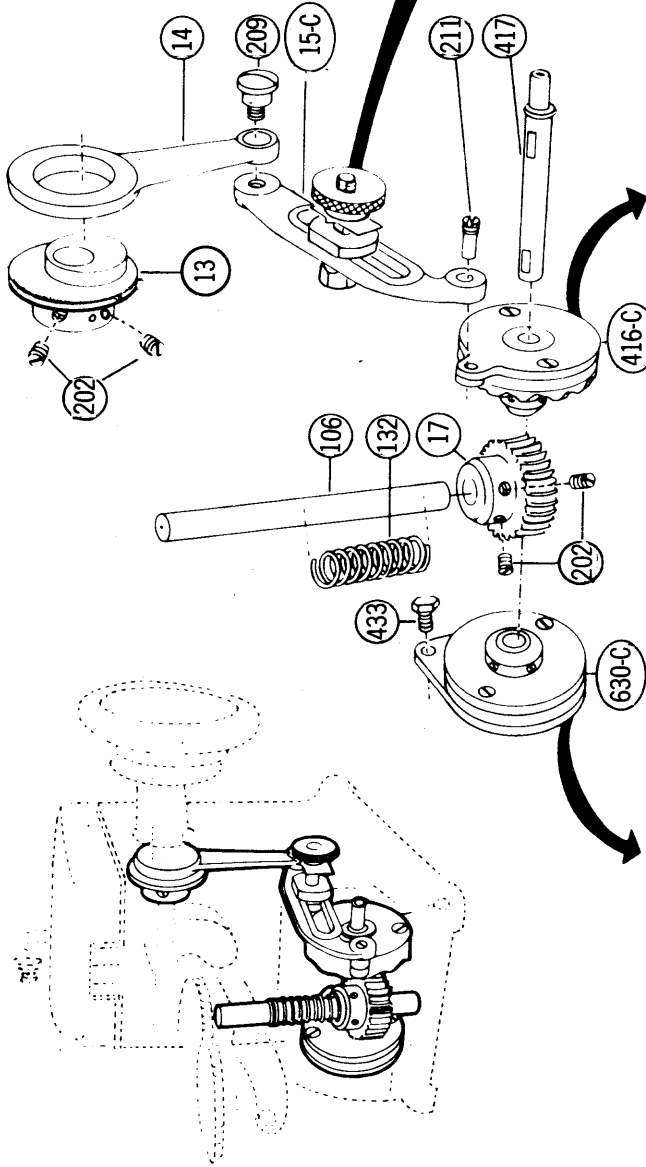


LOOPER FRAME ASSEMBLY

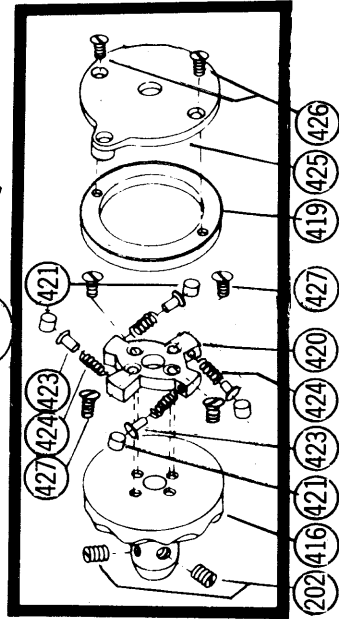
Part No.	Description
27	Balance Weight
114-A	Looper
125	Hexagon Looper Chuck Shell
126	Looper Cam Roller
143	Rocker Packing. (Specify thickness: .004, .006, .010, .020)
144-A	Looper Frame
144-A-FC	Looper Frame, Fitted Complete With All Necessary Parts
149-A	Oscillating Cam
202	Eccentric Set Screw, 4 Req'd
204	Fulcrum Pin
206	Looper Frame Rocker Screw, 2 Req'd
207	Looper Cam Roller Stud
208	Looper Cam Roller Stud Set Screw
214	Balance Weight Screw, 2 Req'd
225	Fulcrum Pin Nut
410	Front Rocker, Complete
411-A	Looper Frame Eccentric
412	Front Rocker Nut
609	Looper Oscillating Arm
624	Looper Shaft
639	Looper Oscillating Arm Pinch Screw, 2 Req'd

GEAR & FEED ASSEMBLY

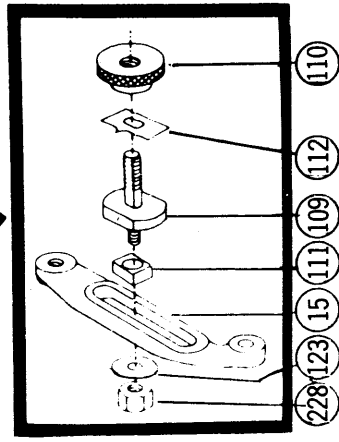
Part No.	Description
13	Feed Eccentric
14	Feed Connection
15	Feed Lever Only
15-FC	Feed Lever, Fitted Complete
17	Feed Gear (Small)
106	Disc Shaft
109	Stitch Regulating Stud
110	Stitch Regulating Stud Nut
111	Stitch Regulating Block
112	Stitch Indicator
123	Feed Lever Washer
132	Feed Disc Shaft Spring
202	Set Screw, 8 Req'd
209	Feed Lever Shoulder Screw
211	Feed Driving Screw
228	Stitch Stud Nut
416	Feed Gear Only
416-FC	Right Side Feed Gear, Complete
417	Feed Gear Shaft
419	Feed Gear Ring
420	Feed Gear Cam
421	Feed Gear Roller, 4 Req'd
423	Feed Gear Roller Pin, 4 Req'd
424	Feed Gear Roller Spring, 4 Req'd
425	Feed Gear Plate
426	Feed Gear Plate Screw, 2 Req'd
427	Feed Gear Cam Screw, 4 Req'd
433	Feed Retaining Drum Plate Screw
628	Feed Retaining Drum
629	Feed Retaining Drum Cam
630	Feed Retaining Drum Plate
630-FC	Left Side Feed Retaining Drum, Complete



Feed Retaining Drum Parts



Feed Gear Parts



Feed Lever Parts

GEAR AND FEED ASSEMBLY

CAUTION: Order by part number only. When ordering parts, kindly state Serial and Model Numbers of Machine. The Serial Number is stamped on the left top edge of main frame. The Model Number is printed on

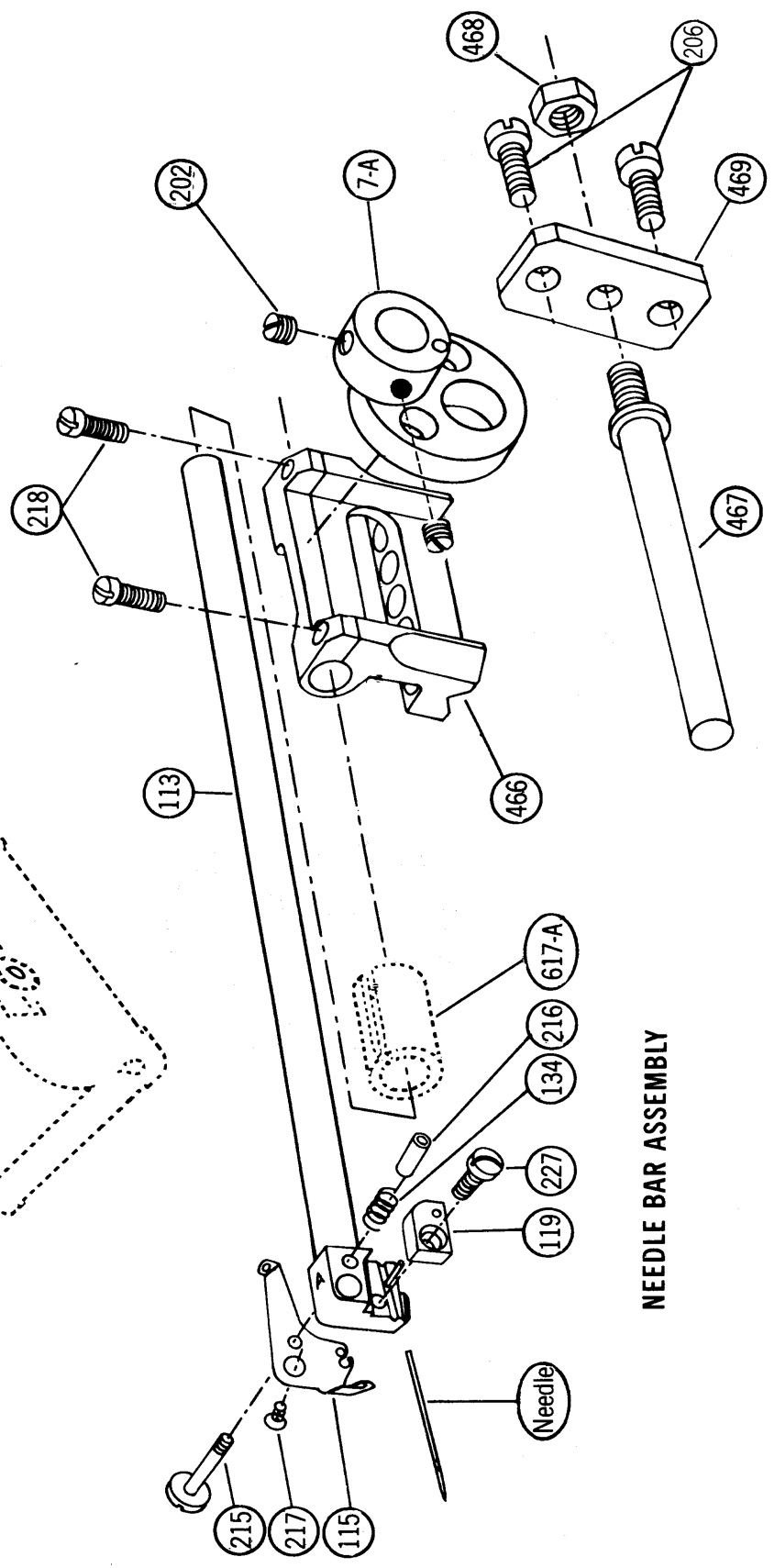
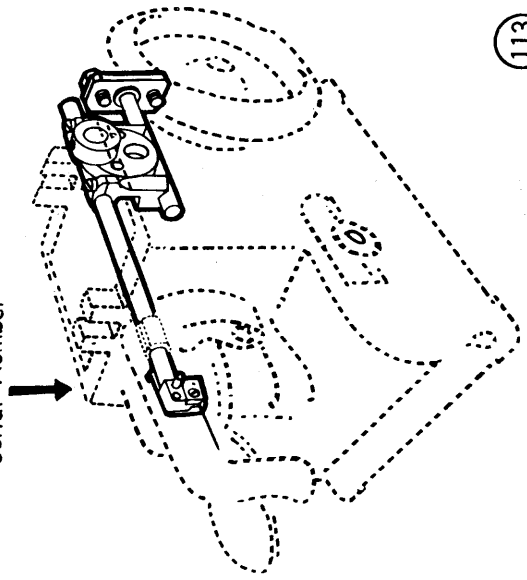
NEEDLE BAR ASSEMBLY

Part No.	Description
7-A	Needle Bar Yoke Eccentric
113	Needle Bar (For "-RD" Models it is Part No. 113-R)
115	Needle Bar Tension Plate
119	Needle Clamp
134	Needle Bar Tension Spring
202	Yoke Eccentric Set Screw
206	Needle Bar Yoke Adjustable Bracket Screw, 2 Req'd
215	Needle Bar Tension Plunger
216	Needle Bar Plunger Nut
217	Needle Bar Tension Plate Screw
218	Needle Bar Yoke Pinch Screw, 2 Req'd
227	Needle Clamp Screw
466	Needle Bar Yoke
467	Needle Bar Yoke Support Shaft
468	Needle Bar Yoke Support Shaft Lock Nut
469	Needle Bar Yoke Adjustable Bracket
617-A	Needle Bar Bushing
Needle -	Bonis System 292-A (For "-RD" Models it is Bonis System 459)

Custom Gauges for Special Work are Available

Printed in U.S.A.

Serial Number



NEEDLE BAR ASSEMBLY

ROS. SEWING MACHINERY CORP.
Street, New York, N.Y. 10001 • Phone 212/645-0001
Cable Address: "BONIBRO"
Telex: 422449
Fax: (212) 645-0914