

PARTS ASSEMBLIES FOR

Bonis Models B-27, B-32, BG-12, BG-14,
BN-10, BC-14, BH-12, BD-32, BK-10, BK-12
BT-11 and T-11

CAUTION: Order by part number, not reference number. When ordering parts, kindly state serial number and Model of Machine. Lift top cover... serial number is stamped on left rear corner of main frame. Model Number is stamped on metal label attached on top cover.

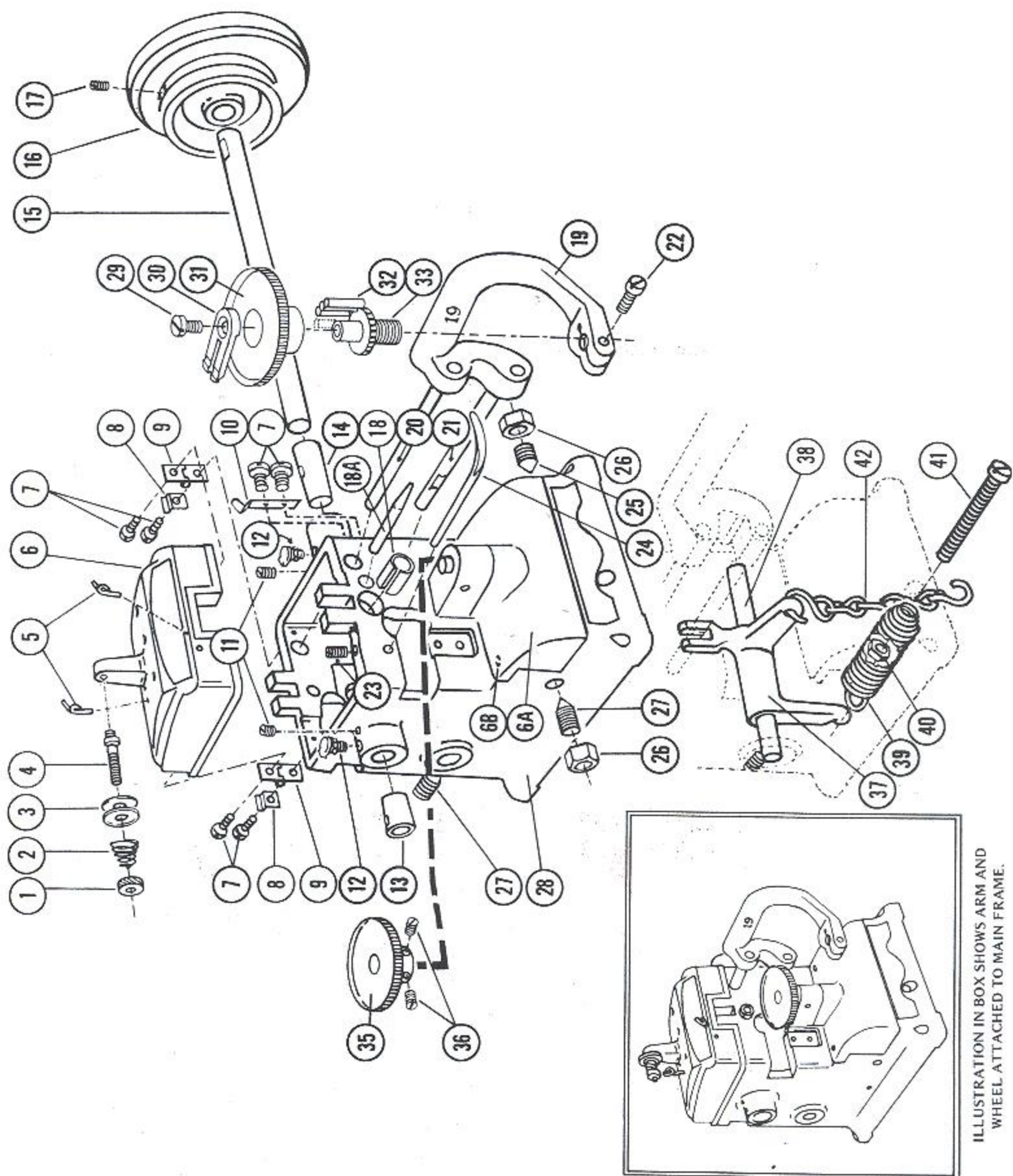


ILLUSTRATION IN BOX SHOWS ARM AND WHEEL ATTACHED TO MAIN FRAME.

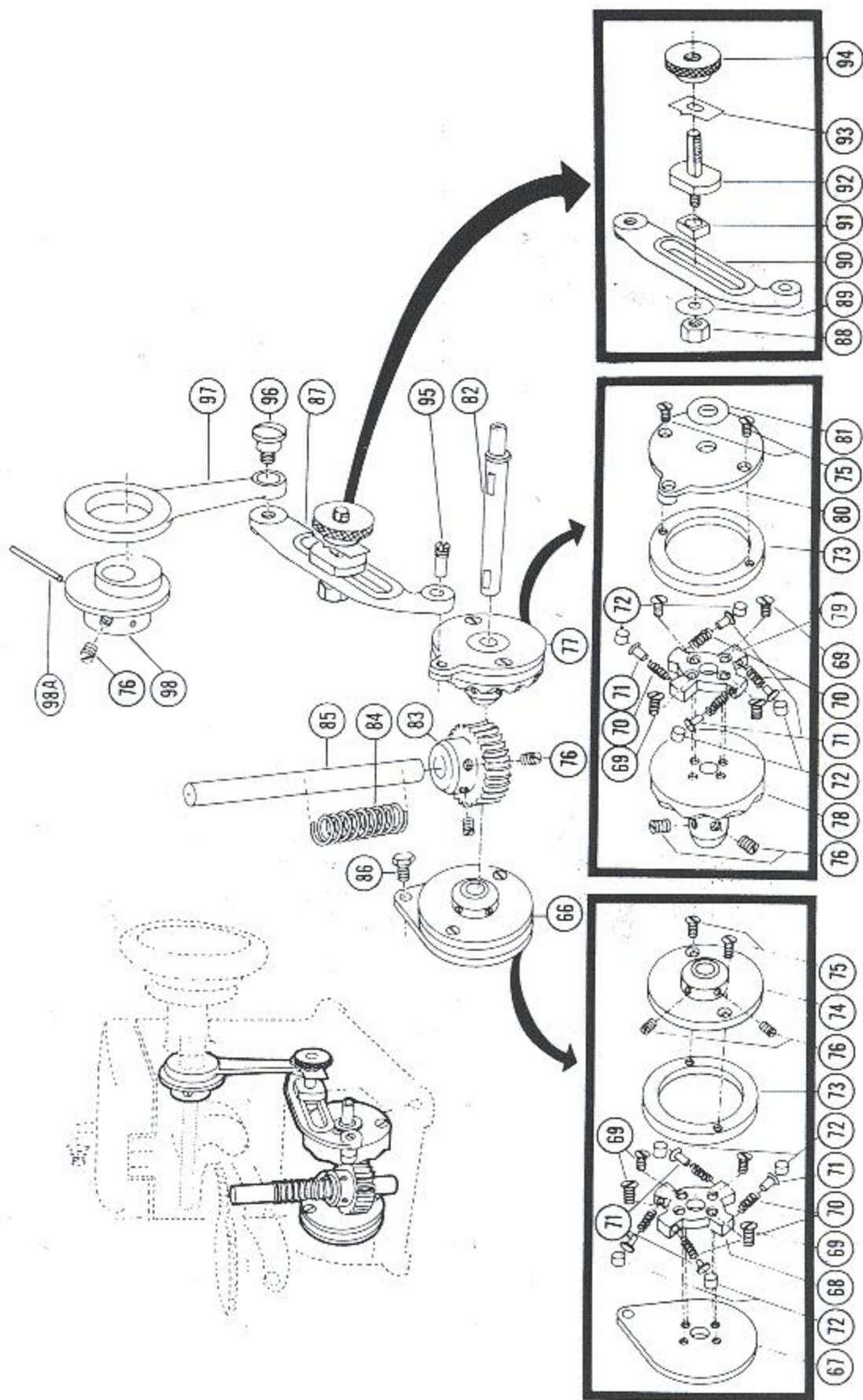
B & T MAIN FRAME ASSEMBLY

Refer. No.	Part No.	Description
1	226.....	Tension Nut
2	133.....	Top Cover Tension Spring
3(2)	129.....	Tension Discs
4	213.....	Tension Post
5	128.....	Top Cover Thread Guide
6	703.....	Top Cover
6A	704.....	Front Cover
6B(2)	221.....	Front Cover Screws
7(6)	405.....	Top Cover Hinge Screws
8(2)	612.....	Top Cover Hinge Stoppers
9(2)	611.....	Top Cover Hinges
10	610.....	Top Cover Lock Spring
11(2)	248.....	Main Shaft Bushing Set Screws
12(2)	409.....	Small Oil Cups
13	30-B-T.....	Main Shaft Bushing, Short, (Left Side)
14	29-B-T.....	Main Shaft Bushing, Long, (Right Side)
15	105.....	Main Shaft
16	24.....	Belt Wheel
17	203.....	Belt Wheel Screw
18	617.....	Needle Bar Bushing
18-A	116.....	Needle Bar Tension Post
19	19-C.....	Feed Disc Arm Complete With Pins
19	19-A.....	Feed Disc Arm Only
20	108-A.....	Top Arm Pin
21	108.....	Bottom Arm Pin
22	210.....	Arm Pinch Screw
23	230.....	Work Guide Set Screw
24	127-B.....	Work Guide
25	201-S.....	Feed Shaft Screw, Short
26(2)	224.....	Feed Shaft Screw Nut
27(2)	201-L.....	Pressure Lever Shaft Screw, Long
28	1-B.....	Main Frame
29	214.....	Needle Guard Screw
30	121-B.....	Needle Guard
*31	18-F.....	Front Feed Disc
32(12)	246.....	Disc Bearing Rollers
33	107.....	Disc Stud
34	Not Illustrated (closed bearings)	
	29 thru 34 sold as complete unit # 18-F	
*35	18-R.....	Rear Feed Disc
36(2)	202.....	Rear Feed Disc Set Screws
37	21.....	Pressure Lever
38	158.....	Pressure Lever Shaft
39	157.....	Pressure Lever Spring
40	250.....	Pressure Lever Adjusting Screw Nut
41	259.....	Pressure Lever Adjusting Screw
42	Chain.....	

} COMPLETE
UNIT
#18-F

*B-27, BN-10, BT-11, T-11 are equipped with 27 teeth per inch disc wheels; all other B models have 32 teeth per inch.

****“C” After Part Number Denotes “COMPLETE”**



(Left Side)

(Right side Feed Gear not assembled)

ILLUSTRATED IN SHADOW MACHINE—GEAR AND FEED
ASSEMBLY INSTALLED IN MAIN FRAME—COMPLETE

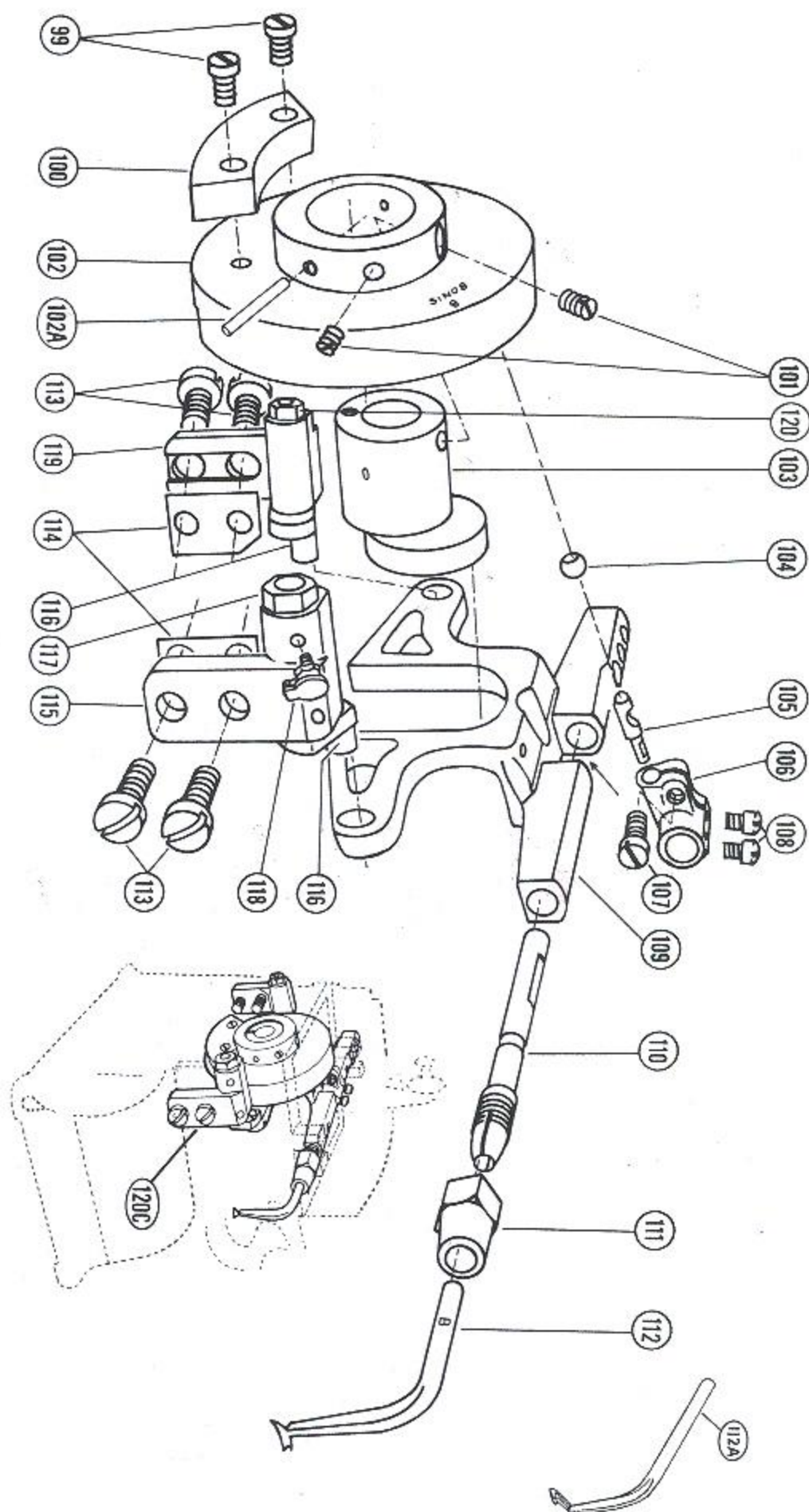
GEAR & FEED FRAME ASSEMBLY

Refer No.	Part No.	Description
66	416	Left Side Feed Retaining Drum
67	630	Feed Retaining Drum Plate
68	629	Feed Retaining Drum Cam
69 (4)	427	Feed Gear Cam Set Screws
70 (4)	424	Feed Gear Roller Spring
71 (4)	423	Feed Gear Roller Pin
72 (4)	421	Feed Gear Roller
73	419	Feed Gear Ring - Left and Right Side of Gear,
74	628	Feed Retaining Drum
75 (2)	426	Feed Gear Plate Screws
76	202	Set Screws
		Right Side Feed Gear uses same numbers on screws, roller springs, pins and cams
77	416-C	Right Side Feed Gear Complete
78	416	Feed Gear Only
79	420	Feed Gear Cam
80	425	Feed Gear Plate
81	418	Feed Gear Shaft Washer
82	417	Feed Gear Shaft
83	17	Feed Gear (Small)
84	132	Feed Disc Shaft Spring
85	106	Disc Shaft
86	433	Feed Retaining Drum Plate Shoulder Screw
87	15-C	Feed Lever Fitted Complete
88	228	Stitch Stud Nut
89	123	Feed Lever Washer
90	15	Feed Lever Only
91	111	Stitch Regulating Block
92	109	Stitch Regulating Stud
93	112	Stitch Indicator
94	110	Stich Regulating Stud Nut
95	211	Feed Dog Driving Screw
96	209	Feed Lever Screw
97	14	Feed Connection
98	13-B	Feed Eccentric
76	202	Set Screws
98-A	235	Feed Eccentric Pin

} SOLD AS
COMPLETE UNIT
#13 & 14/B C

**"C" after Part Number Denotes "COMPLETE"

Special Gauges for Special Work are Available

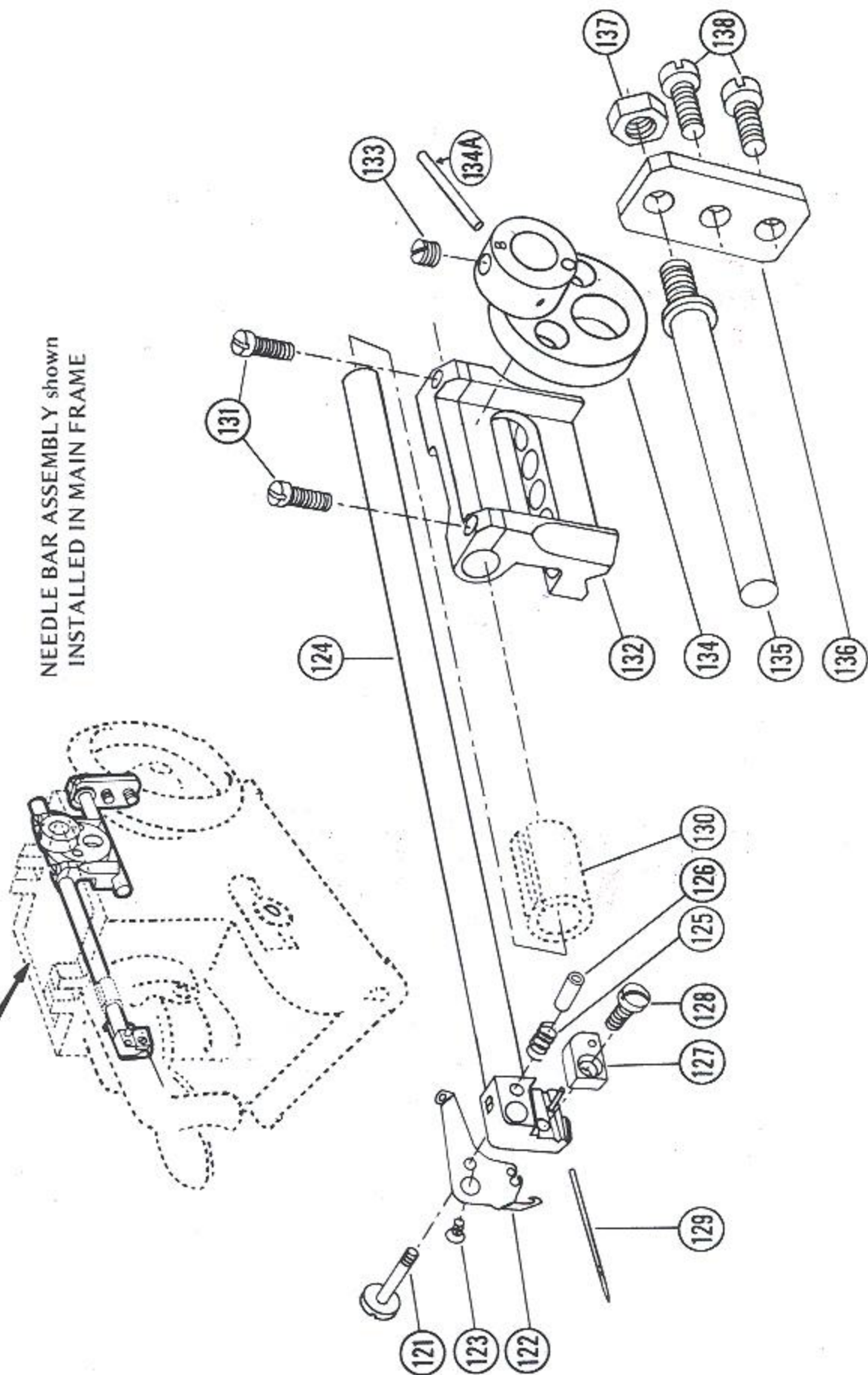


LOOPER FRAME ASSEMBLY

Refer. No.	Part No.	Description	
99(2)	214	Balance Weight Screws	
100	27	Balance Weight	
101(2)	202	Eccentric Set Screws	
102	149-B	Oscillating Cam	
	149-T no illust.	Oscillating Cam for Models BT-11 and T-11	
103	411-B	Looper Frame, Steel Eccentric	
	411-T no illust.	Looper Frame, Steel Eccentric for Models BT-11 and T-11	
104	126	Looper Oscillating Roller	} <i>SOLD AS COMPLETE UNIT # 609-C</i>
105	207	Looper Cam Roller Stud	
107	208	Looper Cam Roller Stud Set Screw	
106	609	Looper Oscillating Arm	
108(2)	639	Looper Oscillating Arm Pinch Screws	
109	144-B	Looper Frame	
110	624	Looper Shaft	
111	125	Hexagon Looper Chuck Shell	
112	114-B	Looper	
	114-T not illust.	Looper for Models BT-11 & T-11	
112-A	114-B-2	Two Thread Looper	
113(4)	206	Looper Frame Rocker Screws	
114(2)	143	Rocker Packing — Specify thickness: .004, .006, .010, .020.	
115	410/422/412/205	Complete Front Rocker With Stud	} <i>SOLD AS COMPLETE UNIT FRONT ROCKER</i>
		When ordering this number specify if for Model BT-11 or T-11	
116(2)	205	Looper Frame Rocker Studs	
117	412	Looper Frame Front Rocket Nut	
118	409	Small Oil Cup	
119	122-B/10-B/205/225	Back Rocker Fitted Complete w/Stud	
120	225	Looper Frame Nut	
120-C	144-T or B	Looper Frame Fitted Complete with Cam	
		116, 119 and 120 Sold as Complete Unit — Back Rocker	

Serial Number

NEEDLE BAR ASSEMBLY shown
INSTALLED IN MAIN FRAME



NEEDLE BAR ASSEMBLY

Refer. No.	Part No.	Description
121	215.....	Needle Bar Tension Plunger
122	115-B.....	Needle Bar Tension Plate for B models
122	115-T.....	For Model T-11 Only
123	217.....	Needle Bar Tension Plate Screw
124	113-B.....	Needle Bar
	113-T.....	not illust. for Models BT-11 and T-11
125	134.....	Needle Bar Tension Spring
126	216.....	Needle Bar Plunger Nut
127	119.....	Needle Clamp
128	227.....	Needle Clamp Screw
129		Needle — Bonis System 292-B
		Needle Bonis System 292-T for Model T-11 Only
130	617.....	Needle Bar Bushing
131(2)	218.....	Needle Bar Yoke Pinch Screws
132	466-B.....	Needle Bar Yoke
133	202.....	Yoke Eccentric Set Screw
134	7-B.....	Needle Bar Yoke Eccentric
134-A	235.....	Yoke Eccentric Pin
135	467.....	Needle Bar Yoke Support Shaft
136	469.....	Needle Bar Adjustable Bracket
137	468.....	Needle Bar Yoke Support Shaft Lock Nut
138	210.....	Needle Bar Yoke Adjustable Bracket Screw

***"C" after Part Number Denotes "COMPLETE"**

DEALER:

REFERENCE NUMBERS ON EACH PLATE ARE NOT NECESSARILY THE SAME, HOWEVER, THE PART NUMBER, IF A DUPLICATE IS THE SAME.