

# PARTS ASSEMBLIES FOR

## Bonis Models: SL-64, SP-65, SB-66



**CAUTION:** Order by part number only. When ordering parts, kindly state Serial and Model Numbers of Machine.

The Serial Number is stamped on the left top edge of main frame. The Model Number is printed on name plate on top cover.

# MAIN FRAME ASSEMBLY

Part No. Description

4-SL-A	Machine Guide Bracket	SOLD AS COMPLETE UNIT #4-SL-A-B-C
4-SL-B	Guide Bracket	
4-SL-C	Cord Guide For String Lasting	
50	Cord Guide	
214	Guide Bracket Screw	
705	Over Head Bracket Screws	
706	Bracket Screw Washers	
1-T	Main Frame	
3-SL	String Lasting Gauge	
4-SL-A-B-C705/706	String Lasting Gauge fitted	
18-R	Rear Wheel - Steel (27 teeth)	
18-R-SAW	Sawtooth - Steel Wheel (Models SL64, SP65 & SB-66)	
19-SL	Feed Disc Arm Complete With Pins	
21	Pressure Lever	
22	Chain	
24	Belt Wheel	
29-B-T	Main Shaft Bushing Long - Bronze	
31-B-T	Main Shaft Bushing Short - Bronze (3/8" shaft)	
51	Cut-off Knife Bracket	
51-A	Knife Bracket Screw	
52	Cut-off Knife Blade	
105-51	Main Shaft for SL-64 (3/8" & 1/2" diam.)	
108-A	Top Arm Pin	
108-B	Bottom Arm Pin	
128	Top Cover Thread Guides (2) Req'd	
129	Tension Disds (2) Req'd	
133-B	Top Cover Tension Spring	
157	Pressure Lever Spring	
158	Pressure Lever Shaft	
201-L	Feed Shaft Screw - Long (2) Req'd	
201-L	Pressure Lever Shaft Screw - Long	
202	Set Screws (4) Req'd	
203	Belt Wheel Screw	
213	Tension Post	
219-S	Arm Pinch Screw	
221	Front Cover Screws (2) Req'd	
224	Feed Shaft Screw Nuts (2) Req'd	
230	Work Guide Set Screw	
248	Main Shaft Bushing Set Screws (2) Req'd	
250	Pressure Lever Adjusting Screw Nuts (2) Req'd	
259	Pressure Lever Adjusting Screw	
259-S	Arm Adjusting Screw For Stopper	
405	Top Cover Hinge Screws (8) Req'd	
409	Small Oil Cups (2) Req'd	
610	Top Cover Lock Spring	

610	Top Cover Lock Spring	
611	Top Cover Hinges (2) Req'd	
612	Top Cover Hinge Stoppers (2) Req'd	
617-B	Needle Bar Bushing	
703	Top Cover	
704	Plastic Front Cover	
903	Oilier Top Cover	
908	Oil Filler Cap	
928	Top Cover Thread Guide	
107-S	Disc Stud	} SOLD AS COMPLETE UNIT #18-S-2-3/8"-FC
121-S	Needle Guard	
639	Needle Guard Screws (2) Req'd	
18-S	Front Feed Disc	
39-S	Disc Stud Screw Washer	
426	Disc Stud Screw	
107-N	Front Feed Disc Stud	} SOLD AS COMPLETE UNIT #18-N-1-1/8"-FC
121-B- 1-1/8"	Needle Guard	
639-N	Needle Guard Screws (2) Req'd	
18-N- 1-1/8"	Front Feed Disc	
46-S	Disc Stud Screw Washer	
426	Disc Stud Screw	
107-N	Front Feed Disc Stud	} SOLD AS COMPLETE UNIT #18-N-7/8"-FC
121-N- 7/8"	Needle Guard	
639-N	Need Guard Screws (2) Req'd	
18-N- 7/8"	Front Feed Disc	
46-S & 426	Disc Stud Washer & Screw	

completed illustrated in box with Main Frame.

**\*\*FC\*\* after Part Number Denotes "COMPLETE"**

# GEAR & FEED FRAME ASSEMBLY

Part No.	Description
13-B .....	Feed Eccentric 13 14-B-FC
14 .....	Feed Connection <i>FITTED</i>
15 .....	Feed Lever Only
15-FC .....	Feed Lever Fitted Complete
17 .....	Feed Gear (Small)
106-B .....	Disc Shaft
109 .....	Stitch Regulating Stud
110 .....	Stitch Regulating Stud Nut
111 .....	Stitch Regulating Block
112 .....	Stitch Indicator
123 .....	Feed Lever Washer
132 .....	Feed Disc Shaft Spring
202 .....	Set Screws
209 .....	Feed Lever Screw
211 .....	Feed Dog Driving Screw
228 .....	Stitch Stud Nut
234 .....	Feed Eccentric Pin
416 .....	Feed Gear Only
416-FC .....	Right Side Feed Gear Complete
417 .....	Feed Gear Shaft
418 .....	Feed Gear Shaft Washer
419 .....	Feed Gear Ring – Left and Right Side of Gear.
420 .....	Feed Gear Cam
421 .....	Feed Gear Roller
423 .....	Feed Gear Roller Pin
424 .....	Feed Gear Roller Spring
425 .....	Feed Gear Plate
426 .....	Feed Gear Plate Screws
427 .....	Feed Gear Cam Set Screws
433 .....	Feed Retaining Drum Plate Shoulder Screw
628 .....	Feed Retaining Drum
629 .....	Feed Retaining Drum Cam
630 .....	Feed Retaining Drum Plate
630-FC .....	Left Side Feed Retaining Drum Complete

Right Side Feed Gear uses same numbers on screws,  
roller springs, pins and cams

**\*“FC” after Part Number Denotes “COMPLETE”**

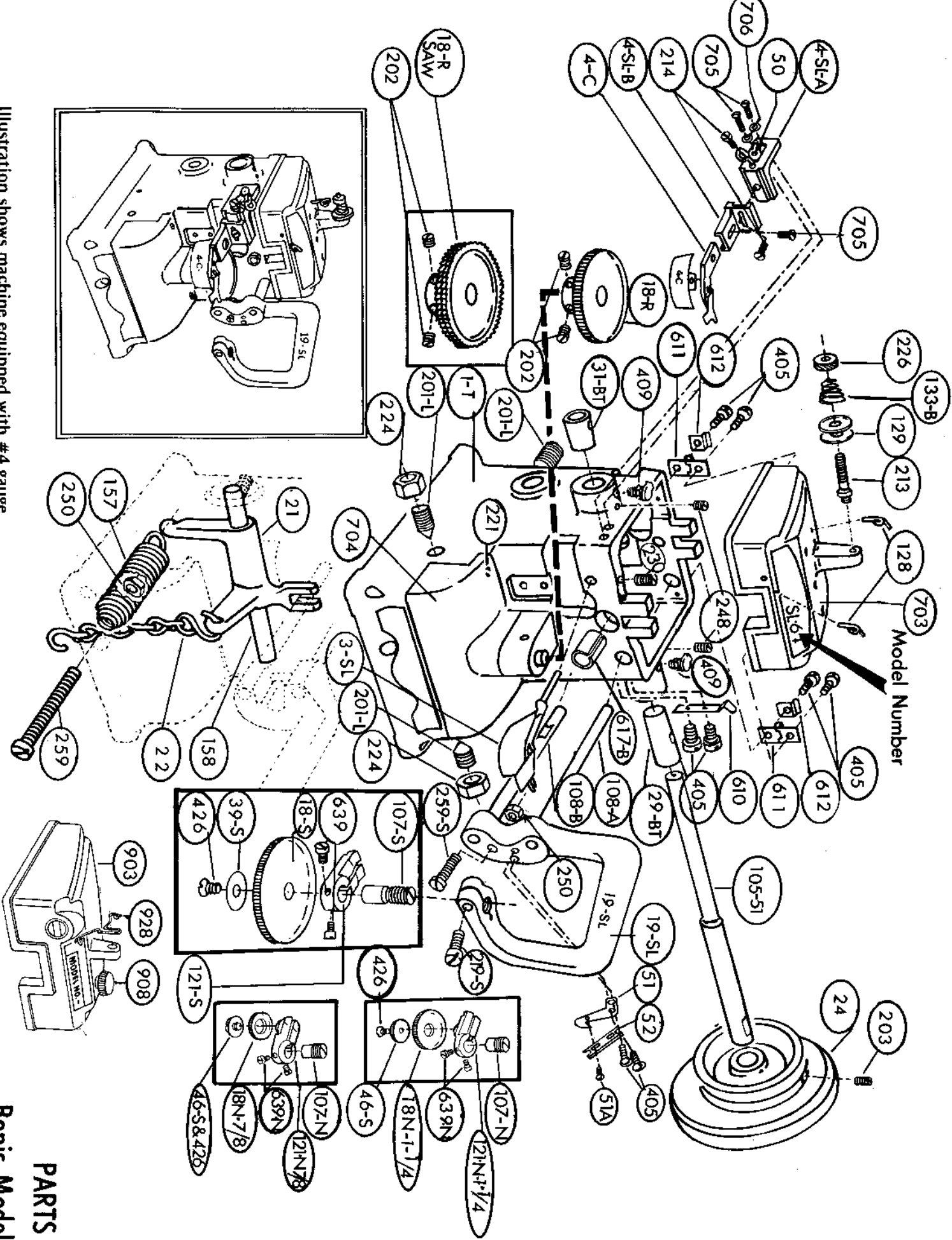
**Special Gauges for Special Work are Available**

# NEEDLE BAR ASSEMBLY

Part No.	Description
7-B-51 .....	Needle Bar Yoke Eccentric
113-T .....	Needle Bar
115-T .....	Needle Bar Tension Plate
119 .....	Needle Clamp
134 .....	Needle Bar Tension Spring
202 .....	Yoke Eccentric Set Screw (2) Req'd
206 .....	Needle Bar Yoke Adjustable Bracket Screws
215 .....	Needle Bar Tension Plunger
216 .....	Needle Bar Tension Plunger Nut
217 .....	Needle Bar Tension Plate Screw
218 .....	Needle Bar Yoke Pinch screws
227 .....	Needle Clamp Screw
234 .....	Yoke Eccentric Set Pin
466-51 .....	Needle Bar Yoke (UNIT 466-51-FC)
467 .....	Needle Bar Yoke Support Shaft
468 .....	Needle Bar Yoke Support Shaft Lock Nut
469 .....	Needle Bar Yoke Adjustable Bracket
617-B .....	Needle Bar Bushing
Needle Bonis System H and F-292	

**\*\*“FC” after Part Number Denotes “COMPLETE”**

Illustration shows machine equipped with #4 gauge.



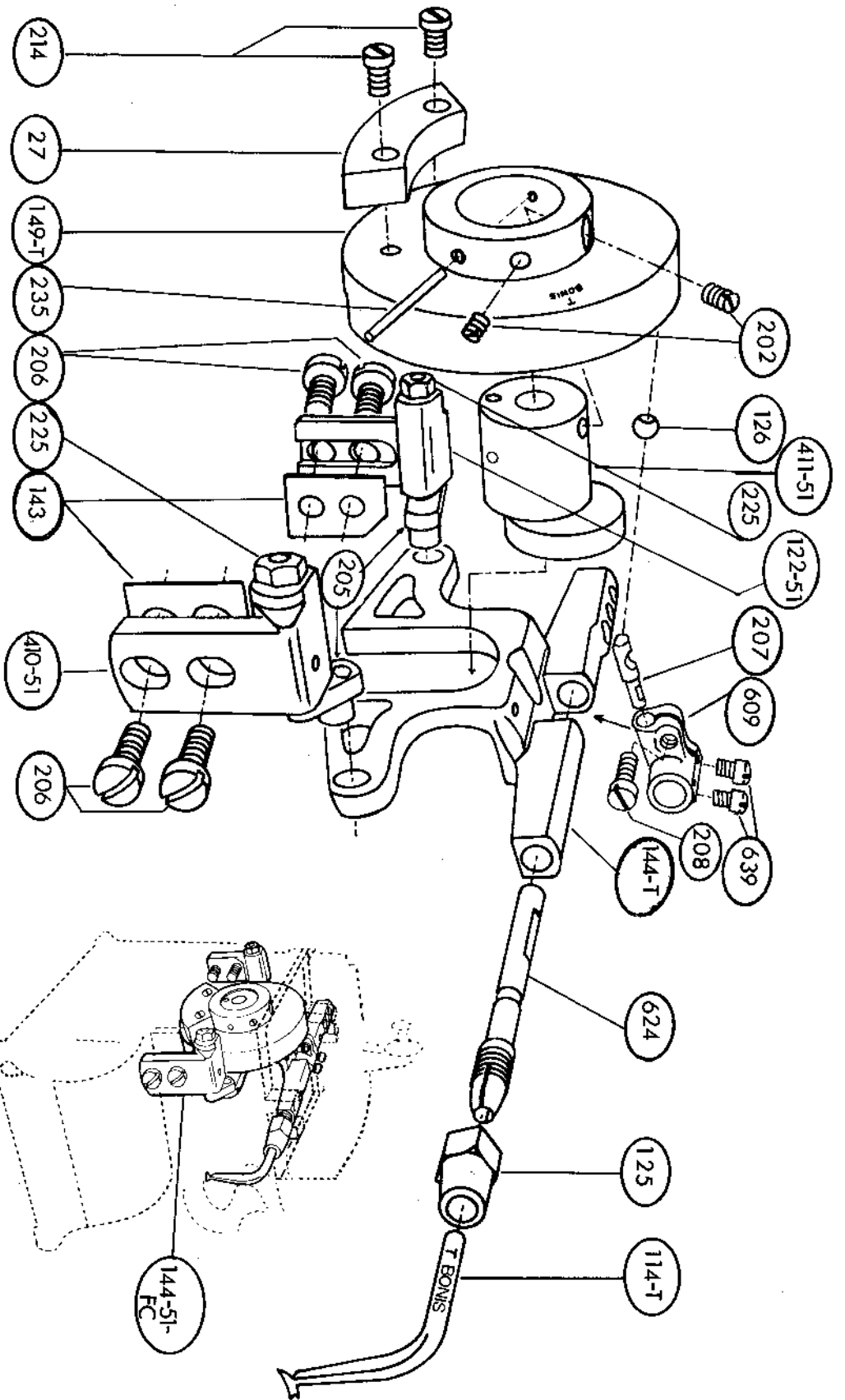
# PARTS

Bonis Models

# LOOPER FRAME ASSEMBLY

Part No.	Description
27	Balance Weight
114-T	Looper
122-51/205/225	Back Rocker Fitted Complete With Stud
125	Hexagon Looper Chuck Shell
126	Looper Oscillating Roller
143	Rocker Packing (Specify thickness: .004, .006, .010, .020)
144-T	Looper Frame
144-T-FC	Looper Frame Complete Unit Fitted With Cam
149-T	Oscillating Cam
202	Eccentric Set Screws
205	Looper Frame Rocker Stud
206	Looper Frame Rocker Bracket Screws
207	Looper Cam Roller Stud
208	Looper Oscillating Roller Stud Set Screw
214	Balance Weight Screws (2) Req'd
225	Looper Frame Front Rocker Nut
225	Looper Frame Back Rocker Nut
235	Looper Eccentric Pin
410-51/422/205/225	Complete Front Rocker With Stud - Illustrated
411-51	Looper Frame Hardened Steel Eccentric
609	Looper Oscillating Arm (Complete Unit #609-FC)
624	Looper Shaft
639	Looper Oscillating Arm Pinch Screws

\*"FC" after Part Number Denotes "COMPLETE"



**LOOPER FRAME ASSEMBLY**

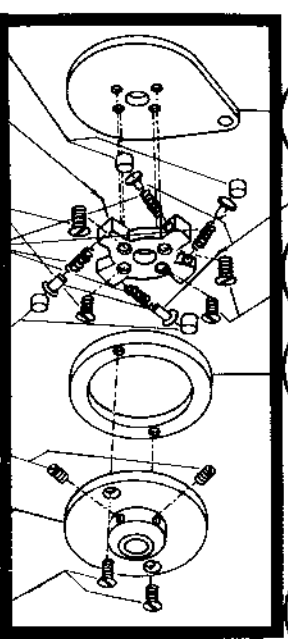
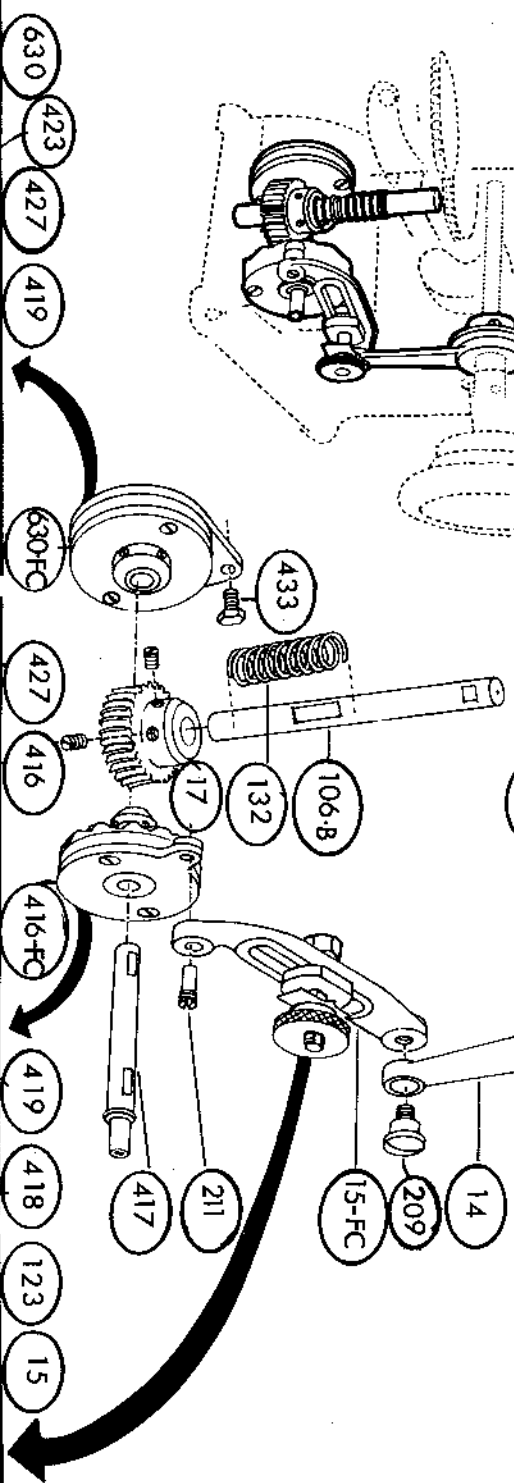
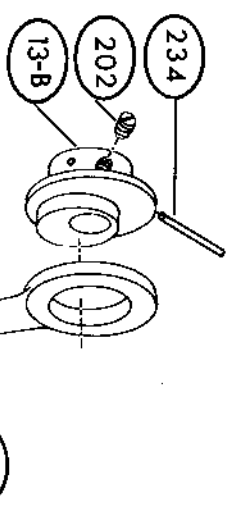
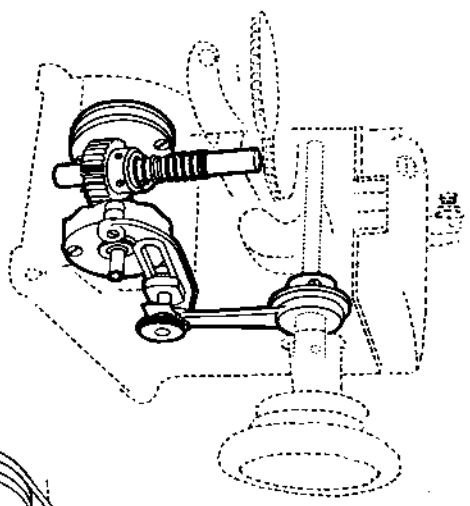
**ILLUSTRATED IN SHADOW MACHINE:**  
 Looper Assembly installed in Main Frame.

**BONIS BROS. SEWI**

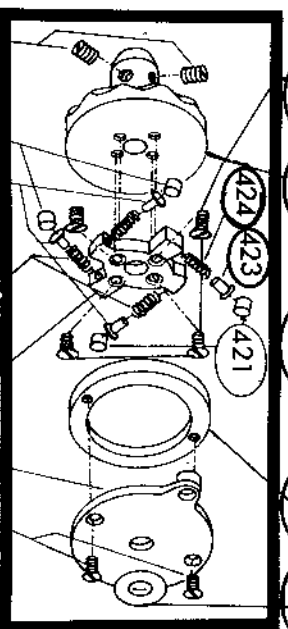
111 West 26th Street, New Yo

Cable Ac  
 Te  
 Fax: |

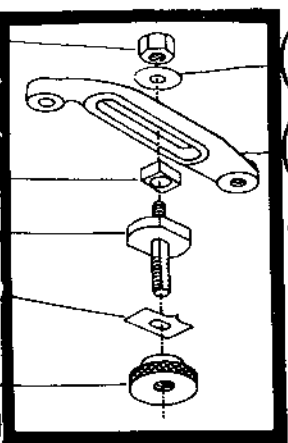




421 629 427 424 421 202 628 426  
(Left Side Feed Retaining Drum — Not Assembled)



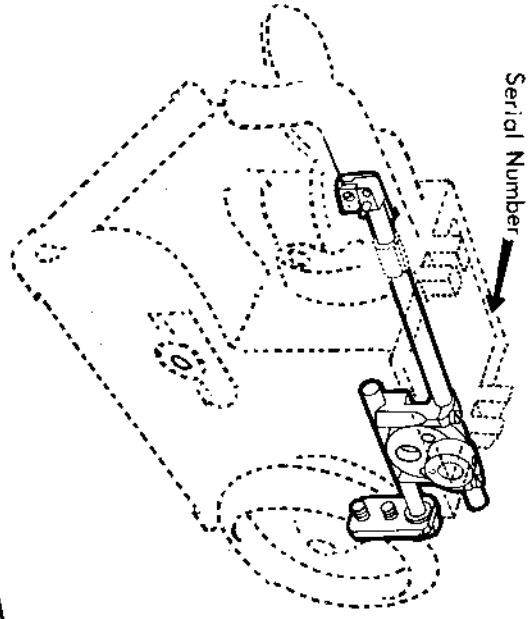
202 421 423 424 420 425 426  
(Right Side Feed Gear — Not Assembled)



2 28 111 109 112 110  
(Feed Lever — Not Assembled)

ILLUSTRATED IN SHADOW MACHINE—GEAR AND FEED  
ASSEMBLY INSTALLED IN MAIN FRAME—COMPLETE

**CAUTION:** When ordering parts, kindly state serial number and Model of Machine. Lift top cover. . . serial number is stamped on left rear corner of main frame. Model number is stamped on metal label attached on top cover.



**NEEDLE BAR ASSEMBLY  
Shown INSTALLED IN MAIN FRAME**

