

PARTS ASSEMBLIES FOR
Bonis Models S-50, S-51, S-51-2, SS-51-2,
SK-51, S-21, BS-8

BONIS BROS. SEWING MACHINERY CORP.

111 West 26th Street, New York, N.Y. 10001 • Phone 212/645-0001

Cable Address: "BONIBRO"

Telex: 422449

Fax: (212) 645-0914

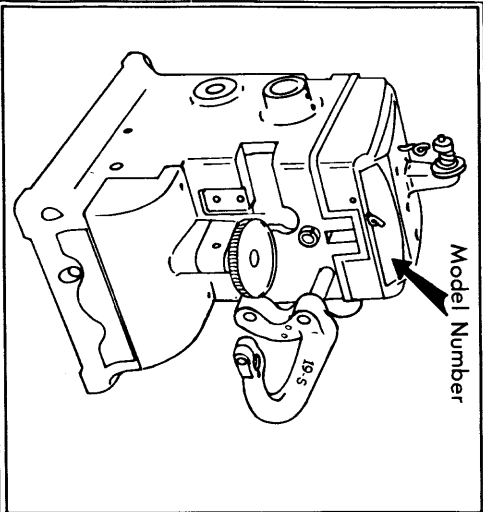
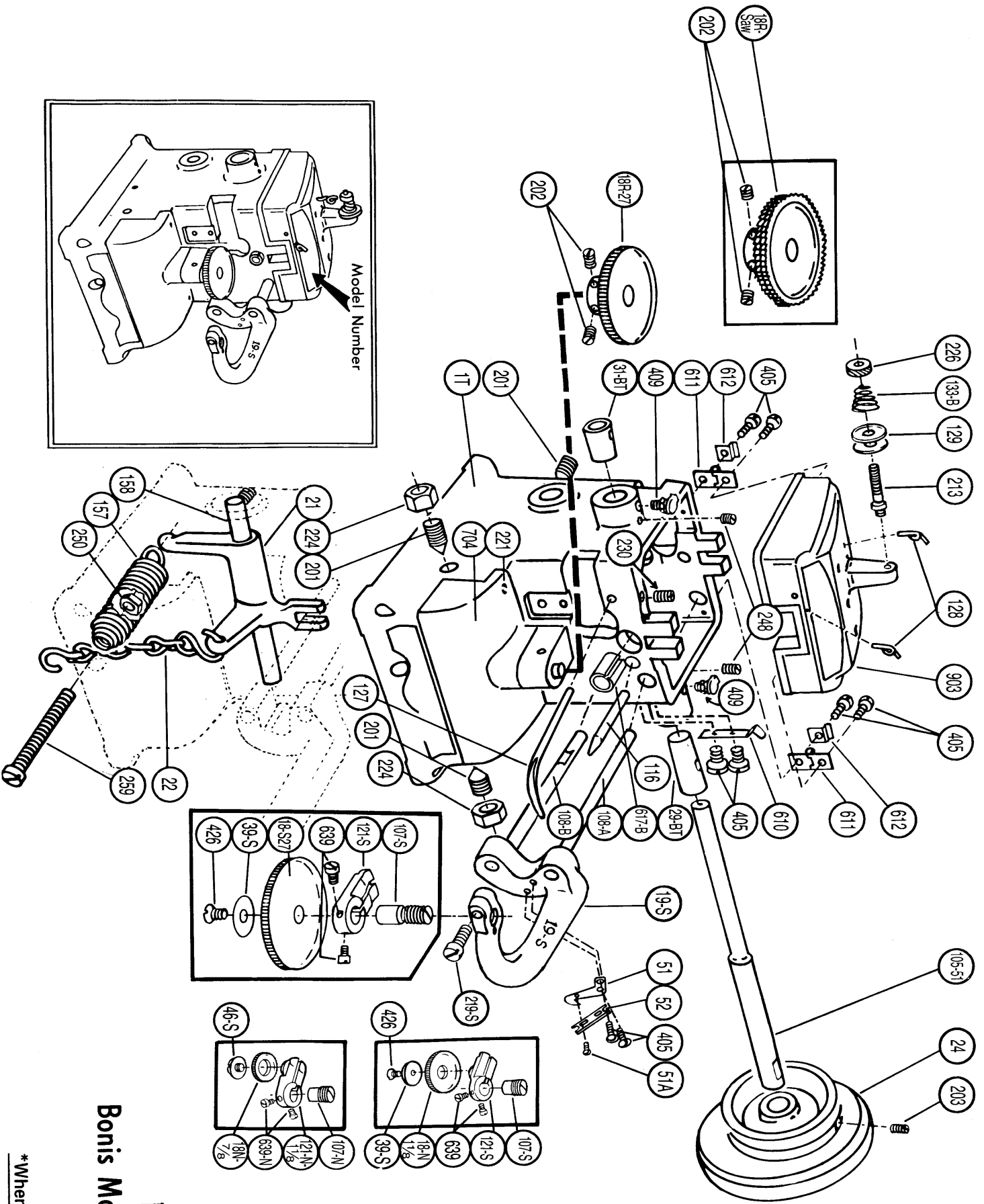
Copyright (c) 1971

Bonis Bros. Sewing Machinery Corp.

All Rights Reserved

MAIN FRAME ASSEMBLY

Part No.	Description	
226	Tension Nut	
133-B	To Cover Tension Spring	
129	Tension Disc	
213	Tension Post	
128	Top Cover Thread Guide (oiler models #928)	
703	Top Cover	
704	Front Cover	
221	Front Cover Screws	
405	Top Cover Hinge Screws	
612	Top Cover Hinge Stoppers	
611	Top Cover Hinges	
610	Top Cover Lock Spring	
248	Main Shaft Bushing Set Screws	
409	Small Oil Cups	
31-BT	Main Shaft Bushing, Short, Bronze	
29-BT	Main Shaft Bushing, Long, Bronze	
105-51	Main Shaft	
24	Belt Wheel	
203	Belt Wheel Screw	
617-B	Needle Bar Bushing	
116	Needle Bar Tension Post	
19-S	Feed Disc Arm Complete With Pins	
19-A	Feed Disc Arm Only	
108-A	Top Arm Pin	
108	Bottom Arm Pin	
219-S	Arm Pinch Screw	
230	Work Guide Set Screw	
127-T	Work Guide	
201-S	Feed Shaft Screw, Short	
224	Feed Shaft Screw Nuts	
201-L	Pressure Lever Shaft Screws, Long	
1-T	Main Frame	
51	Cut-off Knife Bracket	
52	Cut-off Knife Blade	
51-A	Cut-off Knife Bracket Screws, Small	
405	Cut-off Knife Bracket Screws	
107-S	Front Feed Disc Stud	} <i>FITTED</i> <i>COMPLETE</i> <i>#18-S-FC</i>
121-S	Needle Guard	
639	Needle Guard Pinch Screws	
18-S	Front Feed Disc	
39-S	Disc Stud Washer	
426	Disc Stud Washer Screws	
107-N	Front Feed Disc Stud	} <i>FITTED</i> <i>COMPLETE</i> <i>#18-N-1 1/8"-FC</i>
121-N-1-1/8"	Needle Guard	
639-N	Needle Guard Screws	
18-N-1-1/8"	Front Feed Disc	
46-S	Disc Stud Washer	
121-N-7/8"	Needle Guard	
18-N-7/8"	Front Feed Disc	
46-S & 426	Disc Stud Washer & Screw	39,41,44,45,46
18-R	Rear Feed Disc, 27 teeth per inch	<i>FITTED</i>
18-R-Saw	Saw Tooth Rear Feed Disc	<i>COMPLETE</i>
202	Rear Feed Disc Set Screws	<i>#18-N-7/8"-FC</i>
21	Pressure Lever	
158	Pressure Lever Shift	
157	Pressure Lever Spring	
250	Pressure Lever Adjusting Screw Nut	
259	Pressure Lever Adjusting Screw	
22	Chain	



PARTS ASSEMBLY
Bonis Models S-50, S-51, S-52

*When ordering for S-2

Reference number

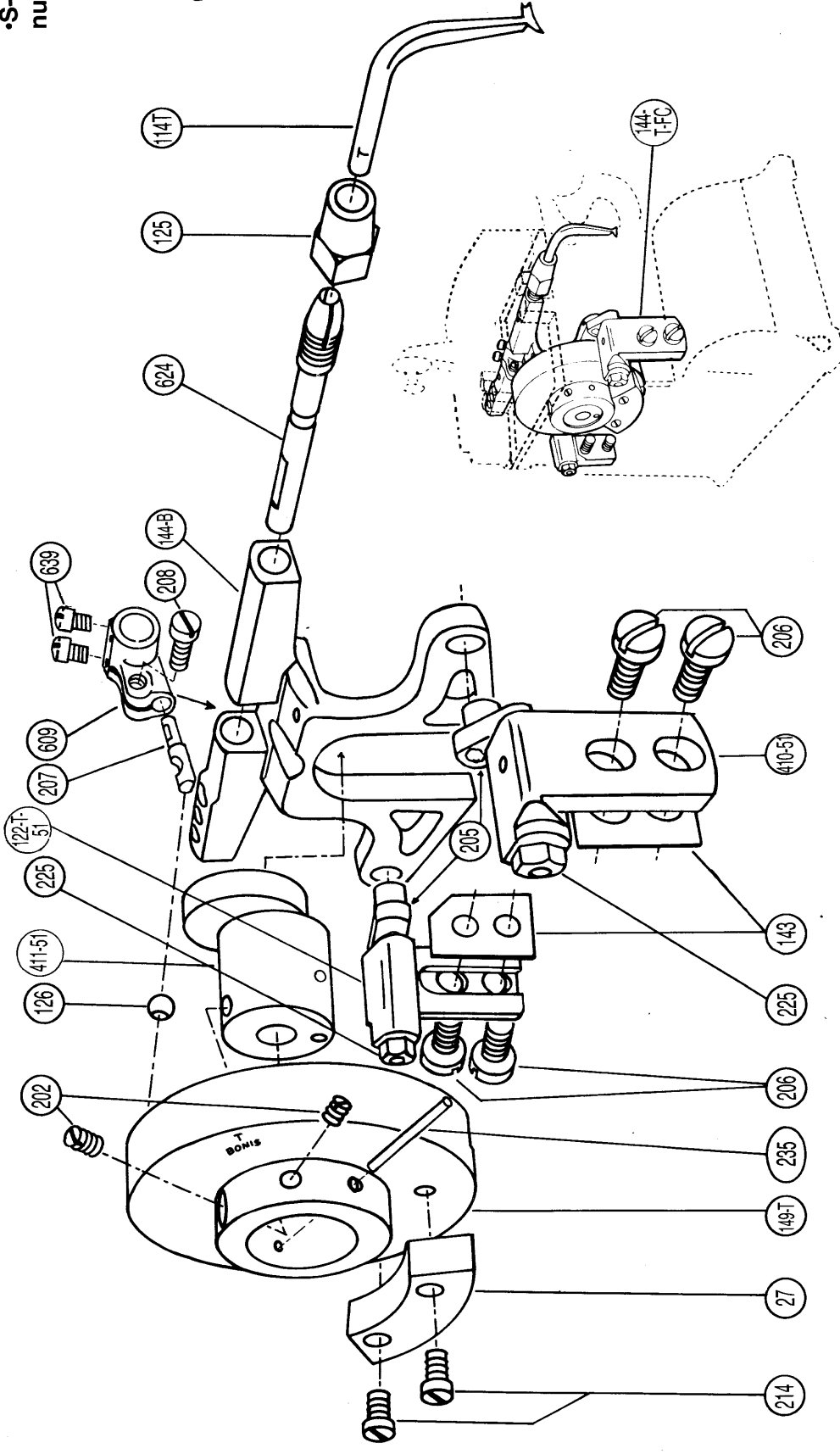
LOOPER FRAME ASSEMBLY

Part No.	Description		
214	Balance Weight Screws		
27	Balance Weight Screws		
202	Eccentric Set Screws		
149-T	Oscillating Cam		
235	Looper Eccentric Pin		
411-51	Looper Frame Hardened Steel Eccentric		
126	Looper Oscillating Roller	} SOLD AS COMPLETE UNIT #609-FC	
207	Looper Cam Roller Stud		<i>FITTED-C</i>
609	Looper Oscillating Arm		
208	Looper Oscillating Roller Stud Set Screw		
639	Looper Oscillating Arm Pinch Screws		
144-T	Looper Frame		
624	Looper Shaft		
125	Hexago Looper Chuck Shell		
114-T	Looper		
206	Looper Frame Rocker Bracket Screws		
143	Rocker Packing (Specify thickness-.004, .006, .010, .020)		
410-51/422-51/205/225	Complete Front Rocker With Stud-Illustrated		
205	Looper Frame Rocker Stud		
225	Looper Frame Front Rocker Nut		
122-T-51/10+51/205/225	Back Rocker Fitted Complete With Stud		
225	Looper Frame Back Rocker Nut		
144-T	Complete Unit Fitted With Cam		
114-B-2	2 thread Looper		

****“FC” after Part Number Denotes “COMPLETE”**

Model S-21 or
 †SS-51-2 equip
 reference #111
 Looper for SS-
 •S-50 #411-T
 number.

Lift top cover... serial number is stamped on left rear corner of main
 frame. Model number is stamped on metal label attached on top cover.



ILLUSTRATED IN SHADOW MACHINE:
 Looper Assembly installed in Main Frame.

LOOPER FRAME ASSEMBLY

BONIS BROS. SEWING
 111 West 26th Street, New York
 Cable Address
 Tel:
 Fax: (212) 243-1111

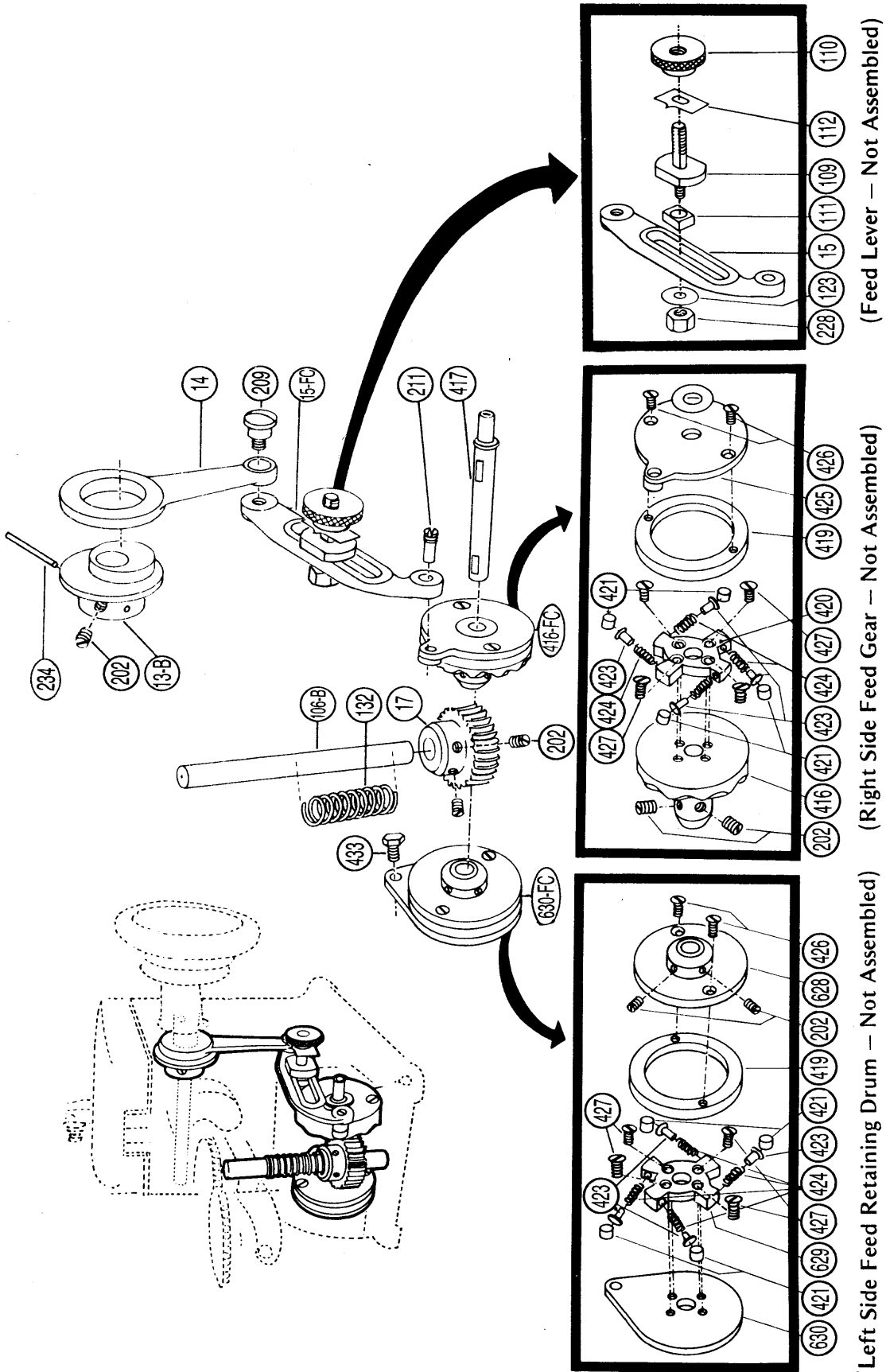
GEAR AND FEED FRAME ASSEMBLY

Part No.	Description	
630-FC	Left Side Feed Retaining Drum Complete	
630	Feed Retaining Drum Plate	
629	Feed Retaining Drum Cam	
427	Feed Gear Cam Set Screws	
424	Feed Gear Roller Spring	
423	Feed Gear Roller Pin	
421	Feed Gear Roller	
419	Feed Gear Ring – Left and Right Side of Gear	
628	Feed Retaining Drum	
426	Feed Gear Plate Screws	
202	Set Screws	
Right Side Feed Gear uses same numbers on screws, roller springs, pins and cams		
416-FC	Right Side Feed Gear Fitted Complete	
416	Feed Gear Only	
420	Feed Gear Cam	
425	Feed Gear Plate	
417	Feed Gear Shaft	
17	Feed Gear (Small)	
132	Feed Disc Shaft Spring	
106-B	Disc Shaft	
433	Feed Retaining Drum Plate Shoulder Screw	
15-FC	Feed Lever Fitted Complete	
228	Stitch Stud Nut	
123	Feed Lever Washer	
15	Feed Lever Only	
111	Stitch Regulating Block	
109	Stitch Regulating Stud	
112	Stitch Indicator	
110	Stitch Regulating Stud Nut	
211	Feed Dog Driving Screw	
209	Feed Lever Screw	
14	Feed Connection	FITTED
13-B	Feed Eccentric	#13&14-B-C
202	Set Screws	
234	Feed Eccentric Pin	

}	SOLDAS
}	COMPLETE UNIT
}	FITTED-FC

****“FC” after Part Number Denotes “COMPLETE”**

Special Gauges for Special Work are Available



ASSEMBLIES FOR
S-51, S-51-2, SS-51-2†
-21* BS-8*
 1 or BS-8:

ILLUSTRATED IN SHADOW MACHINE—GEAR AND FEED ASSEMBLY INSTALLED IN MAIN FRAME—COMPLETE

NEEDLE BAR ASSEMBLY

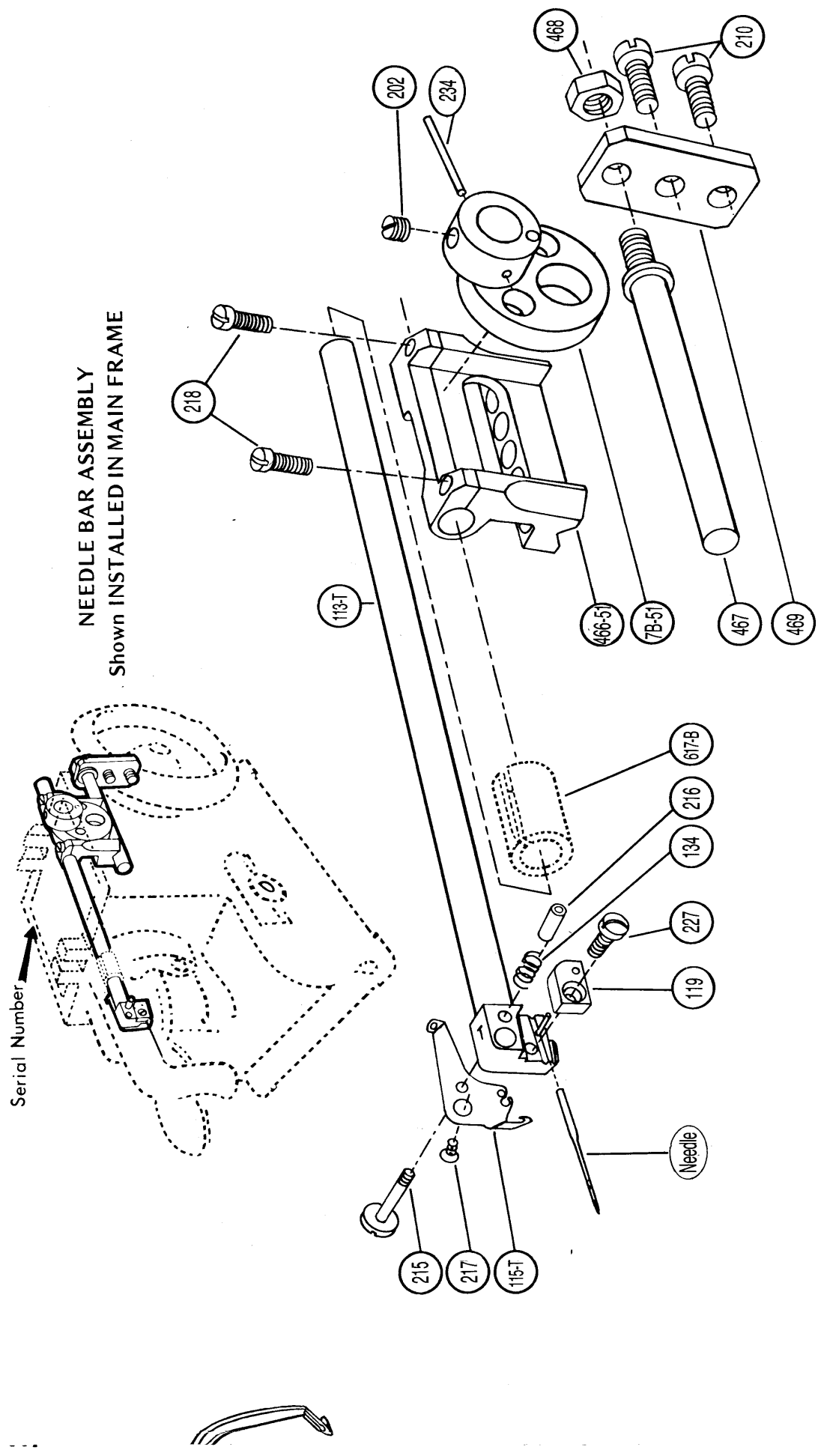
Part No.	Description	
215	Needle Bar Tension Plunger	
115-T	Needle Bar Tension Plate	
217	Needle Bar Tension Plate Screw	
113-1/2-T	Needle Bar	
134	Needle Bar Tension Spring	
216	Needle Bar Tension Plunger Nut	
119	Needle Clamp	
227	Needle Clamp Screw	
Needle Bonis System H and F		
617-B	Needle Bar Bushing	
466-51	Needle Bar Yoke	} SOLD AS COMPLETE
218	Needle Bar Yoke Pinch Screws	
7-B-51	Needle Bar Yoke Eccentric	
234	Yoke Eccentric Set Pin	
202	Yoke Eccentric Set Screw	
467	Needle Bar Yoke Support Shaft	
469	Needle Bar Yoke Adjustable Bracket	
468	Needle Bar Yoke Support Shaft Lock Nut	
210	Needle Bar Yoke Adjustable Bracket Screws	

“FC” after Part Number Denotes “COMPLETE”

DEALERS:
REFERENCE NUMBERS ON EACH PLATE ARE NOT
NECESSARILY THE SAME, HOWEVER, THE PART
NUMBER, IF A DUPLICATE IS THE SAME.

frame. Model number is stamped on metal label attached on top cover.

ed with saw tooth rear feed disc,
A.
-2 and S-51-2 illustrated #112-S.
ightly different. Specify Model



NEEDLE BAR ASSEMBLY
Shown INSTALLED IN MAIN FRAME

G MACHINERY CORP.
N.Y. 10001 • Phone 212/645-0001

ss: "BONIBRO"
422449

1) 645-0914